

## 16234 21310 Mounting Bracket for Trim Weights for N120 Extension Rings (incl. one 0.25kg and one 0.5kg trim weight)

Instruction Manual

### FOREWORD

Thank you for your purchase of a NAUTICAM product.

At NAUTICAM, we pride ourselves in the ability to recognize the requirements of professional as well as amateur underwater photographers and fulfill them through the innovative designs of our products. We strive to achieve a high level of user-friendliness by allowing stress-free installation and easy operation of all important functions of the camera.

Please read this manual carefully before using the product, this will maximize its performance as well as its lifetime.

### WARRANTY

All NAUTICAM Products are warranted against any material and manufacturing defects for two years from the date of purchase for consumer use. This warranty only applies to products purchased from authorized NAUTICAM dealers and does not extend beyond the original retail purchaser.

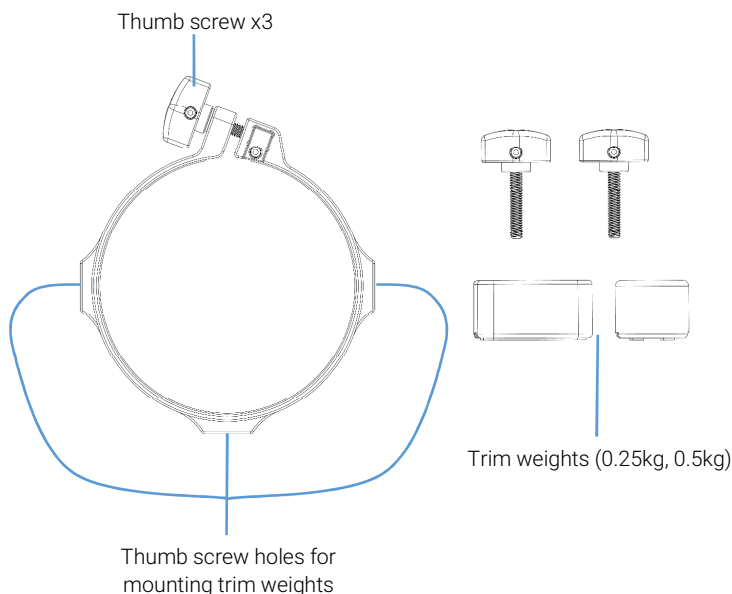
To return your product for service, please contact your regional authorized service center(s). Please note that this warranty only applies when the product is purchased in the territory where the service center is located.

NAUTICAM does not hold responsibility for damage, of any nature, to any equipment used with and/or placed within our products.

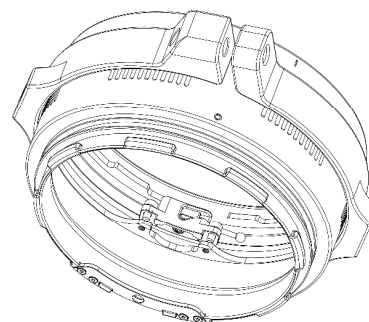
NAUTICAM accepts no liability for any loss of captured images or the inability to capture images even if it is due to the malfunctioning of our products.

Unauthorized modifications and/or repairs of our products will automatically invalidate the warranty.

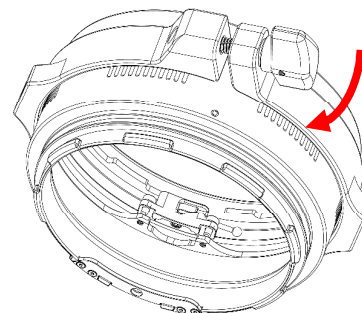
### IDENTIFICATION OF PARTS



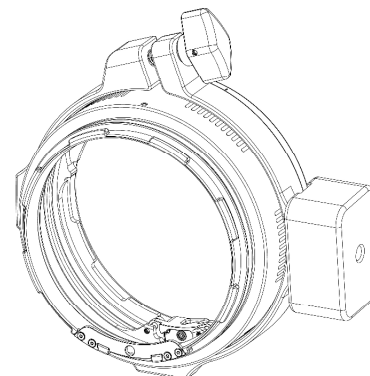
### MOUNTING THE BRACKET ON AN EXTENSION RING



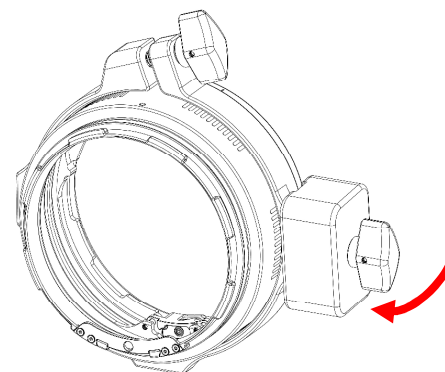
1. Mount the mounting bracket for trim weights on an extension ring.



2. Securely fasten it by thumb screw as shown.



3. Mount a trim weight onto screw hole of mounting bracket.



4. Tightly fasten the trim weight by thumb screw as shown.

### SPECIFICATIONS

#### 16234/21310 MOUNTING BRACKET FOR TRIM WEIGHTS FOR N120 EXTENSION RINGS (INCL. ONE 0.25KG AND ONE 0.5KG TRIM WEIGHT)

Dimensions(mm):	DIA162.5x20.0
Compatible extension rings:	ALL N120 EXTENSION RINGS
Trim weights:	1x 0.25KG 1x 0.5KG

Remark: Nauticam supports only e-manuals. Please download corresponding product manuals on [Nauticam.com](http://Nauticam.com) website, or contact us for e-manuals.